

Our Process | Who We Help and How

Finding the right plastics manufacturing partner isn't always easy, whether that be due to quantity minimums, lead time, or lack of full-service support. At SSI, we're all too familiar with those challenges; we know the hurdles our customers face when trying to get quality plastic parts. That's why we've grown our business to make the process easy. Explore below to find out what problems we solve and how we help make your design ideas a reality.

Challenges We Solve

SSI might be the right thermoforming partner for you if you...

- **Have to work against short lead times** and need a plastics partner that can handle quick turnarounds
- **Need help with complex manufacturing projects** — without being tied to high-quantity volumes
- **Feel frustrated working with multiple vendors** to complete a project from design to finish
- **Don't have complete drawings or specs** for the parts you need
- **Need engineering assistance** to help develop your parts or choose the right material
- **Are looking to switch to plastic parts** or want to re-place an existing metal or fiberglass component
- **Need a small quantity** or "prototype" run for a new product
- **Need secondary services** such as assembly, hard-ware, fabrication, etc.

Our Process From Quote to Finished Product

Let us know what you need for your part, and we'll begin the process.

Here's what happens after you request a quote:



1. Our engineering team helps to fill in any missing information for your product.



2. We develop a quote based on the quantity you need and required tooling.



3. We determine critical part attributes and dimensions to ensure full functionality.



4. Upon quote approval, we design and manufacture the mold and any required fixtures.



5. We create a prototype version of the part for your approval.



6. Production begins. Our fulfillment process includes packaging for safe transit.



7. Upon completion, we track engineering notes and set up a stocking program, if needed.

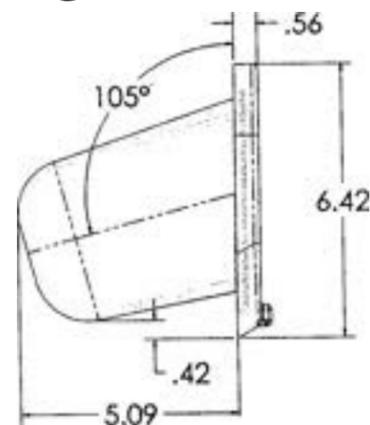


Console Glove / Storage Boxes

No. 49102000

18 1/2" W x 6 1/2" H x 5" D (470 x 165 x 127 mm)
cut out - 16 1/2" W x 4 1/2" H (419 x 114 mm)

- Attractive "Slimline" styling provides a handy console storage area
- Particularly suited for mounting areas with a reverse draft or undercut
- Lockable slam latch for security
- Sturdy gasketed door



No. 49701000 (white door)

8 1/2" W x 6 1/2" H x 4 3/8" Deep (216 x 165 x 112 mm)
cut out 7 1/4" W x 5" H (184 x 127 mm)

- SSi's "Smart Choice" style console boxes feature sturdy water resistant door with quality gasket, locking latch and sleek stainless steel hinge.
- Doors available for OEM manufactures with UV resistant custom colors and patterns such as wood grains, carbon fiber, stainless steel, etc.
- Custom holes for charging or other electronic connections for OEM sales.
- ABS box installed with hidden fasteners.



No. 49701000

No. 49101000

10 1/4" W x 6 1/2" H x 5" D (260 x 165 x 127 mm)
cut out - 8 1/2" W x 4 1/2" H (216 x 114 mm)

- Profile similar to No. 49102000 above

"Performance Style" Console Glove/ Storage Boxes

- White Acrylic capped ABS with polished solid acrylic door for a high quality, attractive appearance
- Stainless steel hinges and locking push button latch
- Available with stainless locking slam latch at extra cost
- Designed for mounting with adhesive (no fasteners)



No. 49168000

11" W x 8 3/8" H x 3 1/2" Deep (279 x 213 x 89 mm)
cut out 9 7/8" W x 7 1/2" H (250 x 190 mm)

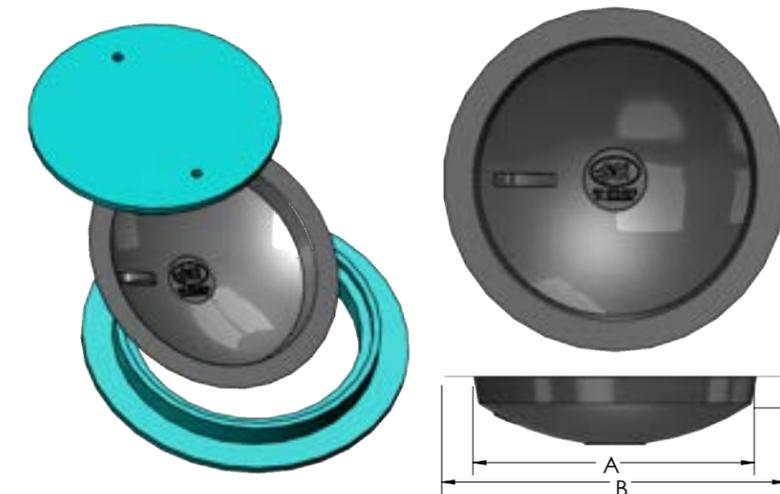


Manhole Inserts

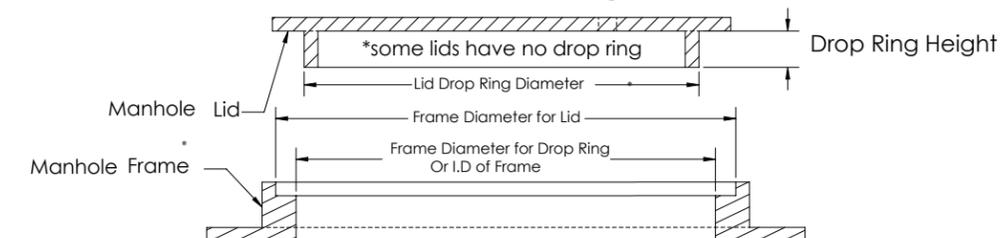
No. 85025524 BLACK HDPE WITH RED PULL STRAP

- In-flow prevention
- Stock sizes of 25 and 25.5 DIA.

- Contact us with the below specifications for custom fit manhole inserts



Manhole Insert Order Requirements



No. 457030000 Laundry Soap Dispenser Station

- Convenient flat design
- Our Detergent holder lets you keep your area organized and neat with different detergents and fabric softeners for your different needs.



No. 36500000 Marine RV Wine Glass Holder

- Holds 4 wine glasses
- Low profile
- Works great to keep your kitchen space free of clutter.

COCKPIT STORAGE BOXES

- Quality cockpit storage with molded fiddles, starboard fiddles or open
- Glossy acrylic capped ABS for ultimate color stability and durability
- Options available for many applications including storage tubs, cargo nets, speakers
- Countersunk mounting holes standard with most products

OEM sales and minimum quantity restrictions may apply to some products

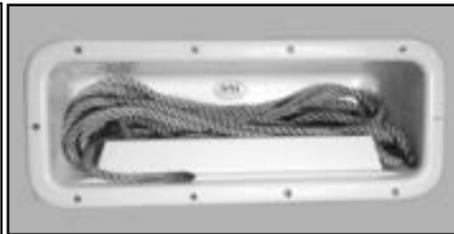
Part No.	Outside Dimensions (LxHxD)		Cut Out	Specifics
46400000	19 1/2" x 9 1/2" x 7"	495 x 241 x 178 mm	17 1/4" x 7 1/4"	438 x 184 mm
46409000	16 1/8" x 12" x 5 7/8"	410 x 305 x 149 mm	14" x 9" x 5 7/8"	356 x 229 mm
46502000	34 1/4" x 10" x 4 3/4"	870 x 254 x 121 mm	32 1/2" x 8 3/8"	826 x 213 mm
46503000	46" x 10" x 4 3/4"	1168 x	44 1/2" x 8 3/8"	1130 x 213 mm
49270000	16" x 12" x 5"	406 x 305 x 127 mm	14" x 10 5/8"	356 x 270 mm molded fiddle
49290600	19 7/8" x 7 3/4" x 6"	505 x 197 x 152 mm	18" x 6"	457 x 152 mm molded fiddle
49400000	20 1/4" x 8" x 5 3/4"	514 x 203 x 146 mm	18 1/4" x 6"	464 x 152 mm starboard fiddle
49406000	20 1/4" x 8" x 5"	514 x 203 x 127 mm	18 1/4" x 6"	464 x 152 mm starboard fiddle



No. 49020000



No. 49290600



No. 49400000

Cooler Retainer

- Totally recesses a 25 qt. Igloo cooler for maximum cockpit clearance
- Glossy acrylic capped ABS

No. 49540100

22 3/4" W x 21 7/8" H x 11 1/2" D
(578 x 556 x 292 mm)
cut out - 20 7/8" W x 19 7/8" H
(530 x 505 mm)



Vent Covers

No. 28101000
2 5/8" x 3" (67 x 76 mm)

No. 28102000
4" x 4 1/2" (102 x 114 mm)

No. 28103000
6" x 7" (152 x 178 mm)

No. 28104000
4 3/8" x 4 1/4" (60 x 108 mm)



Traditional Style Storage Locker

No. 46101500 (OEM ONLY)

19 1/2" W x 11 1/2" H x 7 1/4" D
(502 x 298 x 184 mm)
cut out - 18" W x 10" H (457 x 254 mm)

- Two styles to increase your available storage area
- Made of weatherable capped ABS
- Model No. 46101500 features continuous stainless hinge



SSi Tackle and Storage Boxes



No. 457030000

White acrylic capped
ABS with locking s.s. latch

- "Smart Choice" style tackle boxes
- Choice of standard colors of acrylic capped ABS or "stainless" finish doors
- Door gasket, stainless hinge and hidden fasteners



No. 45300000 Three Drawer

13 1/2" W x 9 3/4" H x 8 1/2" D
(343 x 248 x 216 mm)
cut out - 11 3/4" W x 8 1/4" H
(298 x 210 mm)

- High Gloss Acrylic capped ABS for maximum resistance to the sun
- Rugged lidded Plano® drawers
- Convenient THREE drawersize
- Stainless steel hinges and fasteners



No. 45312300 Two Drawer With Southco grabber latch

13 1/2" W x 7 1/2" H x 8 1/2" D
(343 x 191 x 216 mm)
cut out - 11 3/4" W x 6" H (298 x 152 mm)

- Hidden Fasteners
- Patented "Slimline" door
- Integrally molded plastic hinge



No. 45310300 Three Drawer With Southco grabber latch

(343 x 191 x 216 mm)
cut out - 11 3/4" W x 6" H (298 x 152 mm)



Ultimate Cockpit STOWAWAYS

- Innovative new "Slimline" design hides mounting screws
- Door design includes extremely durable molded hinge and combination latch/handle keeps door rattle free
- Patented hinge design
- Can be mounted vertically or horizontally at up to a 20° angle
- Maintenance free mixer for hot & cold
- High quality 120" white hose
- Available with white or chrome
- High gloss acrylic capped ABS
- **No. 48400000CH with Chrome plated head, handles & 120" (3048 mm) s.s. hose**

No. 48400000
 11 5/8" W x 8 5/8" H x 5 1/4" D (295 x 219 x 133 mm)
 cut out - 9" W x 6 1/8" H (229 x 156 mm)



No. 48400000



No. 48400000CH

Ultimate Compact STOWAWAY Showers

No. 48300000
 9 3/4" H x 6 7/8" W x 3" D
 (248 x 175 x 76 mm)
 cut out - 7 5/8" H x 4 3/4" W (194 x 121 mm)



No. 48300000CH

- Same features as above
- Compact size
- New dripless shower head
- Mounts vertical or horizontal 20-30°



SSi Washdowns

No. 48750000S
 7 1/4" W x 8 1/2" H x 3 1/2" D (184 x 216 x 89mm)
 cut out- 6 1/8" W x 7 1/8" H (156 x 181mm)

- Glossy acrylic capped ABS
- Chromed brass faucet
- Built in switch automatically turns pump off when door is closed
- **Also available without switch model No. 48750000**



SSi Rod Boxes

- Attractive and Durable acrylic capped ABS
- Extreme long life Polycord straps holds rods secure
- Sold in pairs

No. 53005000 (tapered)
 55 3/4" W x 16 1/2" H x 4" - 3 1/4" D (1416 x 419 x 102 - 83 mm)
 cut out - 53 7/8" L x 14 5/8" H (1368 x 371 mm)

(port side pictured)



SSi Sinks



No. 32100000

- **No. 32100000**
 13" L x 10" W x 5" D
 (330 x 254 x 127 mm)
- **No. 32102000** 9" L
 x 7" W x 6 3/8" D (229 x 178 x 162 mm)

- Molded from white, glossy, weatherable ABS plastic
- These stylish sinks can be used inside or out
- Drain not included
- Won't rust or tarnish

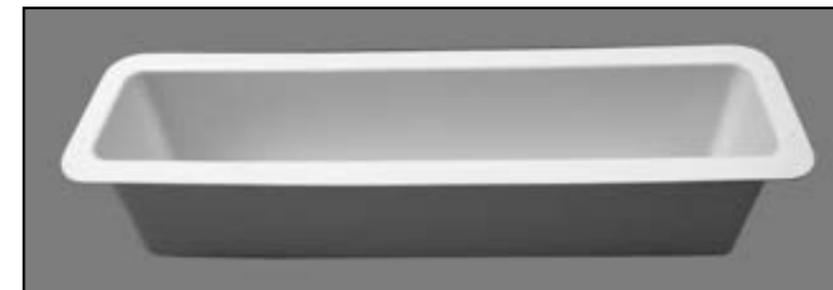
No. 32900800
 17" L x 13" W x 9 1/2" D (432 x 330 x 241 mm)
 cut out - 14" W x 10" H (356 x 254 mm)

- Heavy duty deep sink

No. 32800009
 14" L x 9" W x 6 3/4" D
 (356 x 229 x 171 mm)
 cut out - 12 3/8" W x 7 1/4" H (314 x 184 mm)



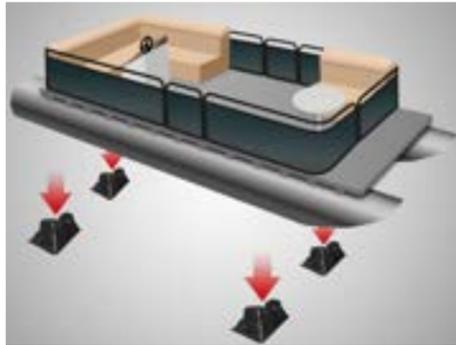
LEANING POST TUBS



Part No. 57502000
Outside Dimensions
 33" x 8 3/4"
 838 x 222 mm
Inside Dimensions
 30" x 6" x 7 7/8"
 762 x 152 x 194 mm

Pontoon Stands

- 4 Pontoon Stands Included in Every Purchase, New Design pontoon storage blocks. Sit on top of cinder block
- **PERFECT FOR PONTOON STORAGE:** These amazing blocks are the easy and secure way to store your pontoon boat or Jet Ski when not in use.



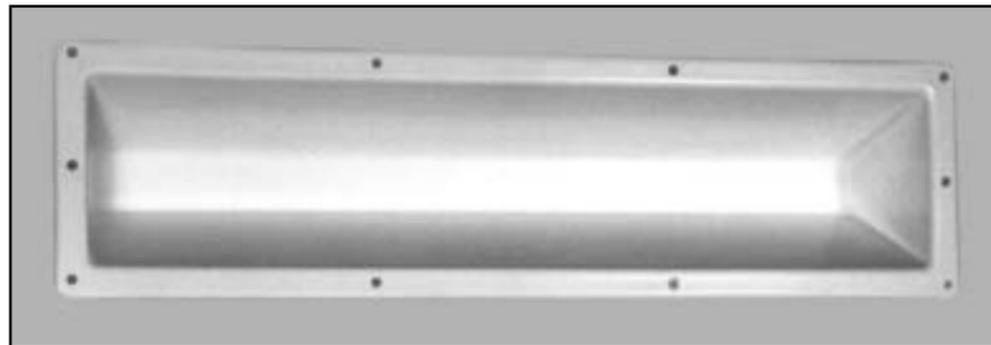
Dock Steps

- Sturdy and slip resistant, featuring a durable non-skid surface in the step areas and an attractive, weather-resistant high gloss finish.
- **OVERALL SPECS:** Length: 35" x Width: 24" Height: 17"



They can go with you to the pool, the spa, or even in the home or garage.

- Provide recessed foot/storage space
- Weatherable capped ABS



Helm Foot Rests

No. 49301500
 34 3/8"W x 9"H x 5 3/4" D (873 x 229 x 146 mm) cut out - 32 1/8"W x 7 1/8"H (816 x 181 mm)

No. 49302500
 31"W x 9"H x 5 7/8" D (787 x 229 x 149 mm) cut out - 28 3/4"W x 7 1/8"H (730 x 181 mm)

SSI STOWAWAY Showers / Washdowns

- Molded of weatherable acrylic capped ABS plastic for superior color and gloss retention
- Hooks into existing pressurized water system
- Marine white faucets, water conservation control showerhead and standard 120" (3048 mm) hose
- Perfect for marine or RV
- Stainless steel hinges and fasteners



Compact STOWAWAY No. 48600000

10 1/4"W x 7 3/4"H x 4 1/4" D (260 x 197 x 108 mm)
 cut out - 8 1/2"W x 6"H (216 x 152 mm)

- Fits into compact space (allow for hose storage)
- Interior or exterior installation
- Marine white hot and cold faucet

Cool Water STOWAWAY

No. 48720000

8 3/16"W x 7 3/16"H x 3 5/8" D (208 x 183 x 92 mm)
 cut out - 7 1/8"W x 6 1/8"H (181 x 156 mm)

- "Marine White" cool water faucet, spray head & hose



STOWAWAY

No. 48500000

12 1/4"W x 7 1/4"H x 3 1/2" D (311 x 184 x 89 mm)
 cut out - 10 3/4"W x 5 3/4"H (273 x 146 mm)

- Marine white hot and cold faucet



Quality Shower Components & Parts

- No. 48200200** Spray handle, white for **No. 48200000**
- No. 48200250** Spray handle, chrome for **No. 48300000CH**
- No. 48500150** 4" (102 mm) mixer, white handles
- No. 48500160** 4" (102 mm) mixer, chrome handle
- No. 48500200** Spray handle, white for **No. 48400000**
- No. 48500250** Spray handle, chrome for **No. 48400000CH**
- No. 48503100** 120" (3048 mm) white PVC shower hose
- No. 48720150** Valve for cold water showers
- No. 48803100** 120" (3048 mm) stainless steel shower hose

- Mixers & valves above are replacements for all showers manufactured after 2003
- All fittings are for 1/2" pipe thread



Head Storage & Covered Paper Holders



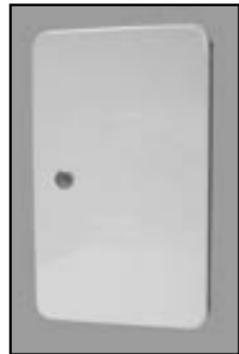
Toilet Paper and Paper Towel Holder

No. 31000000
5 1/2" W x 6" H x 5 1/4" D
(140 x 152 x 133 mm)

- A must for boats and RVs
- Unique lid design keeps paper dry and holds roll securely
- Flat back comes drilled with four mounting holes



No. 729-3400000
5 1/2" W x 6" H x 5 1/4" D
(140 x 152 x 133 mm)



"Smart Choice" Head Storage Cabinet

No. 31820000 (right hand door)

11 7/8" W x 19 3/8" H x 5 3/4" D
(302 x 492 x 146 mm)
cut out- 10" W x 17 3/8" H (254 x 441 mm)

- New "Smart Choice" style door with gasket and satin finish push to close latch and sleek stainless steel hinge
- Organize in secure lower storage space
- Keeps tissue dry and out of site
- Glossy acrylic capped ABS door with white ABS interior
- OEM manufactures can order with custom door colors and patterns. (Minimums would apply)



Recessed T/P Holder

No. 30800000
7 5/16" W x 7 1/4" H x 5 5/16" D
(186 x 184 x 135 mm)
cut out - 6 1/8" W x 6" H (156 x 152 mm)

- Sleek low profile
- Keeps tissue dry and out of site
- Glossy acrylic capped ABS



Flip Out Trash and Storage Bin

No. 45318100
13"W x 18 1/2"H x 6 1/4" D
(330 x 470 x 159 mm)
cut out- 10 3/8" x 15 5/8" H
(264 x 397 mm)

- Door mounted tub for storage, trash or tackle box
- Tabs secure trash bag
- Shallow depth
- "Slimline" styled door opens 180 for access
- Stainless slam latch

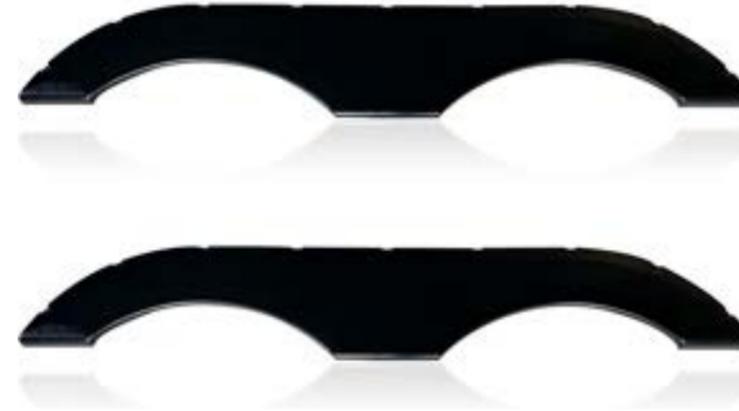


Trash Access Doors

No. 44221700 (OEM ONLY)
21 1/4"W x 21 1/4"H x 11"D (540 x 540 x 279 mm)
cut out - 18 5/8"W x 18 5/8"H (473 x 473 mm)
• Molded support for 28 QT. (26 L) trash can



Trailer Fenders



- **VERSATILITY:** Fender Skirts fit most dual axle camper trailers.
- **EASY INSTALL:** Pre-drilled holes for easy installation!
- **DURABILITY AND STRENGTH:** Extremely Durable Thermoformed ABS plastic, weather resistant, UV-Protected Material.
- **SPECIFICATIONS:** Total length 70 Inches, each wheel base is 23.5 inches and total wheel base is 56.5 inches with 5.25 inches in height. Total fender height is 10.90 - 11 inches. Please see photo for clear dimensions to ensure our fender will fit your trailer - We are NOT responsible for misfits.



4-Way Ceiling Air Vent Deflector

- Efficient Air Distribution
- 24" x 24"
- Durable and easy to Install
- No Tools Required



Flip Out Trash and Storage Bin

No. 45318100
13"W x 18 1/2"H x 6 1/4" D
(330 x 470 x 159 mm)
cut out- 10 3/8" x 15 5/8" H
(264 x 397 mm)

- Door mounted tub for storage, trash or tackle box
- Tabs secure trash bag
- Shallow depth
- "Slimline" styled door opens 180 for access
- Stainless slam latch



Trash Access Doors

No. 44221700 (OEM ONLY)
21 1/4"W x 21 1/4"H x 11"D (540 x 540 x 279 mm)
cut out - 18 5/8"W x 18 5/8"H (473 x 473 mm)
• Molded support for 28 QT. (26 L) trash can



Can Holder

- **NO MORE MESS:** With our unique craft/cleaning organizer, you'll find that organizing your items will be a breeze!
- **DURABLE MATERIAL:** We use ABS plastic for our storage organizer so that it can withstand everything you throw at it.
- **MOUNTABLE:** Place them where ever you like. Our caddy is light, but durable enough for you to mount on walls.
- **UNIVERSAL FIT:** Fits all standard aerosol / spray cans. With additional sections for other accessories.

Universal Mast Boots

- Made of extremely flexible UV resistant vinyl
- Designed to fit a number of sizes of mast with deck collars of the same basic shape
- Molded in small steps so top and bottom can be cut at the level that provides a snug fit to the mast and deck collar
- Boot may be installed on stepped mast by cutting one side and glue together with enclosed adhesive
- Secure top and bottom of boot with stainless steel hose clamps. A variety of sizes are sold separately below
- Complete installation instructions are included in each kit

No. 91000000 - fits masts with circumferences of 17 1/2" and larger with corresponding mast collars of up to 31" (445 to 787 mm)

No. 91200000 - fits masts with circumferences of 23" and larger with corresponding mast collars of up to 37" (584 to 940 mm)

No. 91400000 - fits masts with circumferences of 30" and larger with corresponding mast collars of up to 44" (762 to 1118 mm)
(Note: may not fit rectangle masts)

No. 91000000GLUE - Replacement adhesive

Stainless Steel Hose Clamps with Circumference Ranges

- No. 900-88 13.15" to 18.8" (334 to 478 mm)
- No. 900-96 14.1" to 20.4" (358 to 518 mm)
- No. 900-104 15.6" to 22" (396 to 559 mm)
- No. 900-128 20" to 26.6" (508 to 676 mm)
- No. 900-152 25.5" to 31.4" (648 to 798 mm)
- No. 900-188 32.7" to 38.4" (831 to 975 mm)

Two clamps may be joined to reach the desired circumference of larger masts and collars



Uncut Mast Boot



Fitting Boot to Stepped Mast



Finished Mast Boot

Access Doors

- SSI's "Slimline" access doors with hidden fasteners and molded hinge (patented)
- Acrylic capped ABS to match your gel coat with superior gloss and UV protection
- Available in a number of sizes to match tackle boxes, showers, storage boxes, etc.
- **NOT ALL ITEMS AVAILABLE FOR RETAIL SALE**
- **Minimum orders apply to OEM sales**



No. 442-2116-1100

Single Skin Access Doors

	Outside Dimensions (WxH)	Cut out	Specifics
No. 441-1416-1100	16 3/8" x 13 3/4" (416 x 349 mm)	13 1/2" x 11" (343 x 279 mm)	Stainless latch
No. 441-1715A-1100P (port)	15 1/4" x 17" (387 x 432 mm)	angled	Stainless latch oem only
No. 441-1715A-1100S (stbd)	15 1/4" x 17" (387 x 432 mm)	angled	Stainless latch oem only
No. 441-2312-1100	23 3/8" x 12" (594 x 305 mm)	20 3/4" x 10" (527 x 254 mm)	Stainless latch oem only



No. 441-1614A-1100P

Deluxe Double Skin Access Doors

- Finished in glossy acrylic capped ABS inside and out
- Fully gasketed with stainless steel slam latch unless noted

	Outside Dimensions (WxH)	Cut out	Specifics
No. 442-2116-1100	14" x 21" (356 x 533 mm)	11 7/8" W x 18 1/2" (302 x 470 mm)	grabber latch
No. 442-2121-1100	16" x 21" (406 x 533 mm)	13 1/4" x 18 5/8" (337 x 473 mm)	Stainless latch



No. 442-2114-1500

No. 45305000frame

17 1/2"W x 15 3/4"H (445 x 400 mm)

- Original style door with piano hinge

No. 45305500frame

- Same with stainless slam latch

SSI Piling Caps

Protect Your Expensive Pilings

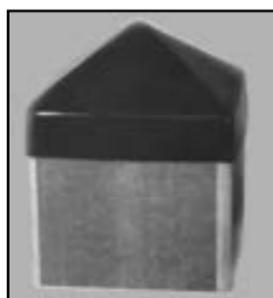
- These easy to install plastic piling caps are an excellent, inexpensive way to protect costly piling from internal rot
- Stocked increments from 4" (140mm) up to 18" (457mm)
- Larger round cone caps available up to 30" (762mm) - please inquire for sizes and pricing
- Installed by drilling nail holes and attaching with galvanized roofing nails or stainless screws (not included)
- Available in 2 styles - standard "Flat" or "Cone". The "Cones" are designed to help discourage sea birds from landing on them and make it easier to throw lines over pilings
- Caps are made from heavy weatherable polyethylene with estimated life in excess of 15 years for black caps and in excess of 9 years for white caps (actual life of piling caps is not guaranteed)



"FLAT"



"CONE"



- Special discounts for marine contractors available
- Minimum order quantities apply to caps over 18"
- Square cone caps available in stock sizes: 3 1/2", 5 1/2", 6", 10", 12", 14", 16" & 18"
- Call for size and a pricing for square caps



Trash Access Doors

No. 44214700

14"W x 21"H x 15" D (356 x 533 x 381 mm)
cut out - 11 7/8"W x 18 1/2"H (302 x 470 mm)

- Economical access door with 21 qt. (20 L) Sterilite trashcan
- SSI's patented "Slimline" styled door with hidden fasteners
- Molded handle with Southco grabber catch
- Door opens up to 180 degrees for access



High Quality Deck Tables

- Designed for easy mounting to standard pedestals
- Rigid two piece design
- High gloss acrylic capped ABS finish on top and bottom
- Deep cup holders securely hold cups, mugs, bottles & cans.

Oval Tables

No. 35003000 (all white)
No. 35013000 (with black bottom 30"L x 18"W x 4"D (762 x 457 x 102 mm)



Coaming Storage Pockets with Drink Holders

OEM sales and minimum quantity restrictions may apply to some products



No. 49234100 (Starboard)
 18 1/4"W x 15 1/2"H x 3 1/2" D
 (464 x 394 x 89 mm)



No. 49235000 (Port)
 18 1/4"W x 15 1/2"H x 3 1/2" D
 (464 x 394 x 89 mm)

No. 49240800 (Port)
No. 49241800 (Stbd)
 27"W x 14 1/2"H x 3 1/2"D
 (686 x 368 x 89 mm)
 Sleek styled acrylic capped ABS
 Stainless steel drink holders
 Stylish molded fiddle



No. 49240800 (Port)



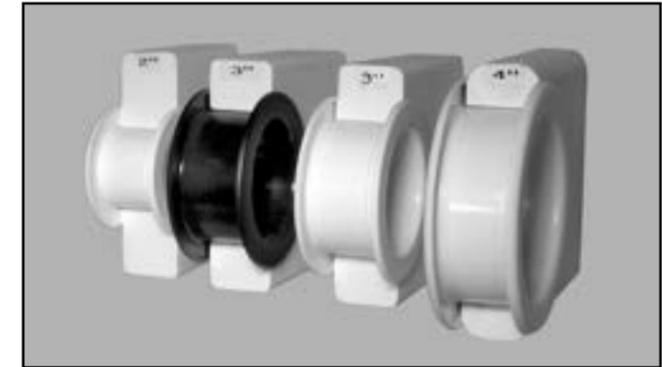
No. 49241800 (Stbd)

- Practical storage and drink pockets
- Glossy acrylic capped ABS
- Available with black or white cup holders

Trim & Chaffing Rings

Chaffing Rings

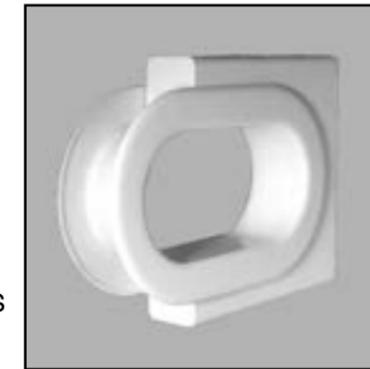
- No. 20025000** - 2" (51 mm) diameter white
 2 15/16" OD x 1 3/4" ID (75 x 44 mm) cut-out 2 1/8" (54 mm)
- No. 20025400** - 2" (51 mm) diameter white, UV resistant
- No. 20025001** - 2" (51 mm) diameter black, UV resistant
- No. 20035000** - 3" (76 mm) diameter white
- No. 20035400** - 3" (76 mm) diameter white, UV resistant
 3 15/16" OD x 2 5/8" ID (100 x 67 mm) cut-out 3" (76 mm)
- No. 20035001** - 3" (76 mm) diameter black, UV resistant
- No. 20045000** - 4" (102 mm) diameter white
 4 15/16" OD x 3 5/8" ID (125 x 92 mm) cut-out 4" (102 mm)
- No. 20045400** - 4" (102 mm) diameter white, UV resistant



- Rings are sold in mating pairs.
- To trim out or prevent chaffing.
- Fits holes in bulkheads up to 2" (51 mm) thick.

Oval 2 pc. Trim Ring

No. 20050000
 9 1/2"L x 6"W x 2 1/2" D OD (241 x 152 x 64 mm)
 7 1/4"L x 3 1/2"W x 2 1/2" D ID (184 x 89 x 64 mm)



- Made of weatherable capped ABS
- Ideal for trimming holes for shore power cords

Oval Chaffing Rings

No. 20056080 (white)
No. 20056081 (black)

9 1/2"L x 6"W x 2 1/2" D OD (241 x 152 x 64 mm) 7 1/4"L x 3 1/2"W x 2 1/2" D ID (184 x 89 x 64 mm)

No. 20053080 (white)
 8"L x 5"W x 2 1/2" Deep OD (203 x 127 mm)
 6"L x 3"W x 2 1/2" Deep ID (152 x 76 mm)

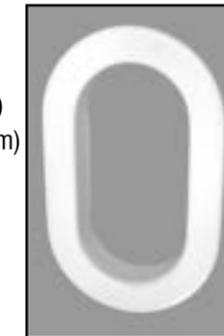
- Economical textured ABS for running interior cable and hose

Oval 1 pc. Trim Rings

No. 20054000
 6" L x 3 1/4" W x 3/4" D OD (152 x 83 x 19 mm)
 4 1/2" L x 1 3/4" W x 3/4" D ID (114 x 44 x 19 mm)

- UV resistant Acrylic capped ABS

No. 20058001 (black)
No. 20058000 (white)
 10" L x 3 1/4" W x 1 1/2" D OD (254 x 83 x 38 mm)
 7 1/2" L x 2 1/4" W x 1 1/2" D ID (191 x 57 x 38 mm)
 • UV resistant capped ABS, black



Carpet Grommets

No. 20035101 (Black)
 3 15/16" OD x 2 5/8" ID (100 x 67 mm)
No. 20045100 (White)
No. 20045101 (Black)
 5" OD x 3 1/2" ID (127 x 89 mm)
No. 20046101 (Black)
 5 7/8" OD x 4 1/2" ID (124 x 114 mm)
No. 20048101 (Black)
 9 3/4" OD x 8" ID (248 x 203 mm)



- OEM Sales only
- Rings are sold in mating pairs
- Black made of UV resistant molded ABS
- Glue together to trim holes for table legs, etc.
- White made of UV resistant Luran® ASA

Fire Extinguisher Boxes



No. 49800000

6 3/4" W x 18 1/2" H x 3 5/8" D (171 x 470 x 92 mm) OD
4 7/8" W x 16 5/8" H x 3 1/2" D (124 x 422 x 89 mm) ID
cut out - 5 1/4" W x 16 3/4" H (133 x 425 mm)

No. 49809000

6 7/8" W x 15 7/8" H x 3 5/8" D (175 x 403 x 92 mm) OD
4 7/8" W x 13 7/8" H x 3 1/2" D (124 x 352 x 89 mm) ID
cut out - 5 1/4" W x 14" H (133 x 356 mm)

- Recessed box keeps fire extinguisher tucked away but within easy reach
- Glossy Acrylic capped ABS
- Reinforced back panel
- Both sizes are available in either black or white

No. 49850000

8" W x 19 1/2" H x 4" Deep (203 x 495 x 102 mm) OD
4 7/8" W x 16" H x 4" Deep (124 x 406 x 102 mm) ID
cut out - 5 1/8" W x 16 3/4" H (130 x 425 mm)

- Attractive storage box with "Slimline" door



Open and Covered Cockpit Storage Boxes

OEM sales and minimum quantity restrictions may apply to some products

No. 44701000

13 3/4" W x 16 3/8" H x 5" Deep (349 x 416 x 127 mm)
cut out - 11" W x 13 1/2" H (279 x 343 mm)

- Versatile box for storage or custom OEM projects
- "Slimline" door with s.s. slam latch



No. 31621000

23 3/8" W x 12" H x 6" Deep (594 x 305 x 152 mm) cut out - 20 3/4" x 9" (527 x 229 mm)

- Stainless steel slam latch



SSi Binocular Case

No. 36400000

12 1/4" W x 10 3/4" H x 5" D (311 x 273 x 127 mm)

- All new design safely stores all sizes up to 7 x 50 with compass as well as most models of stabilized binoculars
- Molded from durable textured ABS plastic with predrilled mounting holes
- The hinged door allows a wide opening for easy access.



Recessed Speaker / Drink Holders

OEM sales and minimum quantity restrictions may apply to some products



No. 54500300

17" W x 11" H x 5" Deep (432 x 279 x 127 mm)



No. 54200300 (white cup holder)

No. 54200800 (stainless cup holder)

12 3/4" W x 9 3/8" H x 4 1/2" D (324 x 238 x 114 mm)
cut out - 11" W x 7 5/8" H (279 x 194 mm)

No. 54140300 (Port) (pictured)

No. 54141300 (Starboard)

20" L x 11" H x 6 1/2" Deep (508 x 279 x 165 mm)
• Teardrop shape



No. 54130300 (Port)

No. 54131300 (Stbd)

Same as above with depth reduced to 4 1/2" (114 mm)

No. 49220300

21 1/2" W x 9 3/8" H x 5 1/8" D (546 x 238 x 130 mm)

- Fits speakers up to 6 1/2" Dia.
- OEM sales



No. 55000300

17 1/2" W x 8 1/2" H x 1 1/4" - 4 1/2" D (445 x 216 x 32 mm)



- High quality surface mount drink holders
- Glossy acrylic capped ABS

- Choice of white or stainless cup holders
- Attach securely with high bond tape - No Fasteners

No. 34210300 (white cup holder)

No. 34210800 (stainless cup holder)

7 1/2" W x 7 5/8" H x 5" D (191 x 194 x 127 mm)

No. 34220300 (white cup holder)

No. 34220800 (stainless cup holder)

12 1/4" W x 7 5/8" H x 5" D (311 x 194 x 127 mm)

No. 54210300 Single

7" W x 11 5/8" H x 3 5/8" D

(178 x 295 x 92 mm)



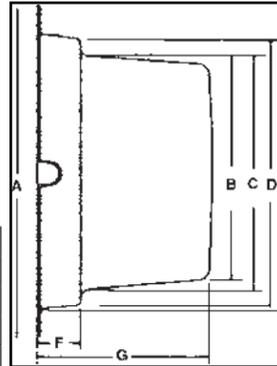
Protect Your Valuable Electronics

Instrument Back Covers



No. 58001000 — No. 58003000

- Made of white ABS plastic
- Protect back of bulkhead mounted instruments
- Contoured and sized to fit most popular instruments.
- Pre-drilled for mounting screws

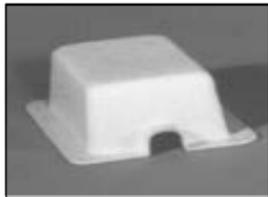


	A	B	C	D	E	F	G
No. 58001000	7 ¹ / ₈	4 ¹ / ₂	5	5 ³ / ₄	5 ⁷ / ₈	1	3 ¹ / ₈
	181	114	127	146	149	25	79
No. 58003000	7 ⁵ / ₈	5	5 ¹ / ₂	6 ¹ / ₄	6 ³ / ₈	1	4
	194	127	140	159	162	25	102

Electric Box Cover

No. 20100000

4 1/2" L x 3 1/4" W x 2" D (114 x 83 x 51 mm)



- Protect exposed wiring, circuit breakers, mounting switches, etc.
- Molded from white ABS
- Measurements are inside dimensions

CARGO NET STORAGE

12 7/8" x 9 3/8" x 4 1/2" (327 x 238 x 114 mm) cut out - 11 1/4" x 7 7/8" (286 x 200 mm)



No. 47605800

18 1/2" x 6 3/4" x 3 5/8" (470 x 171 x 92 mm) cut out - 16 3/4" x 5 1/4" (425 x 133 mm)

No. 49800800

SSi Open Panels



No. 47810000
12"W x 7"H x 1 3/4" D (305 x 178 x 44 mm)
10 1/4"W x 5"H ID (260 x 127 mm)
cut out - 10 1/2" x 5 1/4" (267 x 133 mm)

Speaker Back Covers

Speaker Back Cover for 6 1/2" to 7" OD. (165 to 178 mm) Speakers

No. 57002000

7 1/4" dia. x 2 3/4" D (184 x 70 mm)
5 7/8" inside Dia. (149 mm)

- Slotted mounting holes match stud locations on most speakers
- Compact size fits Clarion, JBL, Polyplanar, and more
- Covers wire connections
- High impact white ABS



No. 57000001 (black)
No. 57000000 (white)

8 3/4" Dia. x 2 1/4" D (222 x 57 mm)

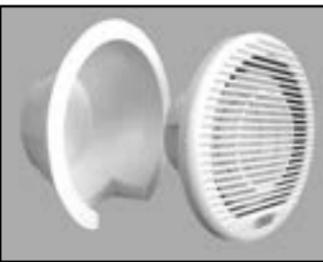
- Hide and protect valuable speakers



No. 57100000
Cover for Clarion CM2503 sub woofer

11" dia. x 4 5/8" D (279 x 117 mm)

- High impact white ABS



No. 46055000

5 3/8" W x 4 1/4" H x 6 1/4" Deep (136 x 108 x 159 mm)
Inside Dimensions 4 1/4" W x 2 3/4" H (108 x 70 mm)

- With Non Skid Pad

CELL PHONE POCKET



SSi Recessed Battery Switch Boxes



No. 47731100

7 1/2" L x 7 1/2" W x 1 1/2" D (191 x 191 x 38 mm)
cut out - 5 5/8" W x 5 3/4" H (143 x 146 mm)

- Pre-Cut holes fit PERKO® and Marinco



No. 47731600

7 1/2" L x 7 1/2" W x 1 1/2" D (191 x 191 x 38 mm)
• Designed for Blue Seas 9000e series



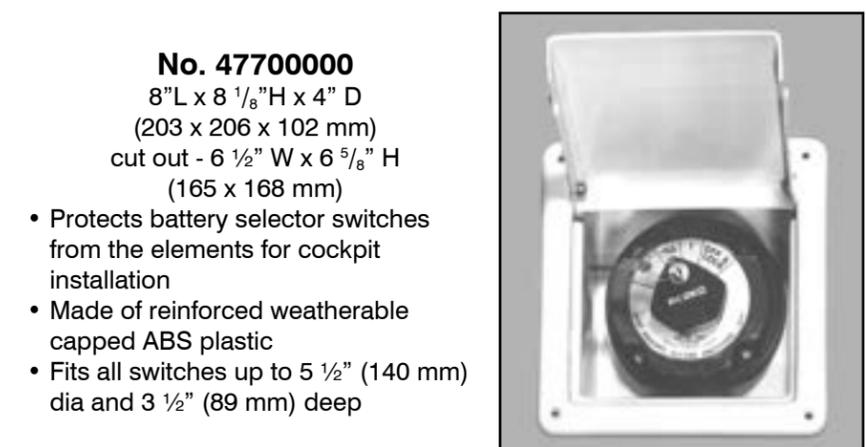
No. 47732000
13" L x 7 3/4" W x 1 1/2" D (330 x 197 x 38 mm)
cut out - 11" W x 5 1/2" H (279 x 140 mm)

- This "Slimline" styled battery panel can mount up to two battery switches
- Available with cut outs and holes for OEM builders



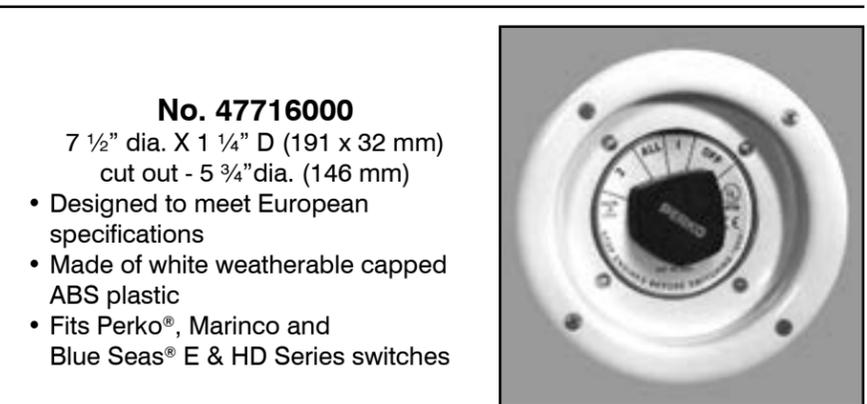
No. 48231600
5 7/8" W x 5 7/8" H x 1 1/4" D (149 x 149 x 32 mm)
cut out - 3 7/8" W x 3 7/8" H (98 x 98 mm)

- Sized with pre-cut holes for Blue Seas® M series switches
- Also available to fit BEP® 701 switches



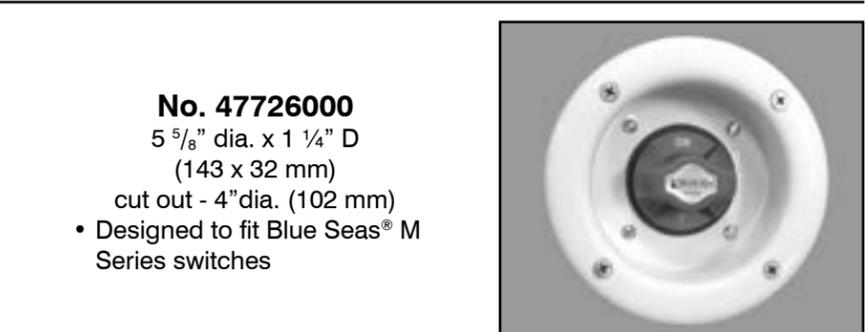
No. 47700000
8" L x 8 1/8" H x 4" D (203 x 206 x 102 mm)
cut out - 6 1/2" W x 6 5/8" H (165 x 168 mm)

- Protects battery selector switches from the elements for cockpit installation
- Made of reinforced weatherable capped ABS plastic
- Fits all switches up to 5 1/2" (140 mm) dia and 3 1/2" (89 mm) deep



No. 47716000
7 1/2" dia. X 1 1/4" D (191 x 32 mm)
cut out - 5 3/4" dia. (146 mm)

- Designed to meet European specifications
- Made of white weatherable capped ABS plastic
- Fits Perko®, Marinco and Blue Seas® E & HD Series switches



No. 47726000
5 5/8" dia. x 1 1/4" D (143 x 32 mm)
cut out - 4" dia. (102 mm)

- Designed to fit Blue Seas® M Series switches